

Clearance Publish

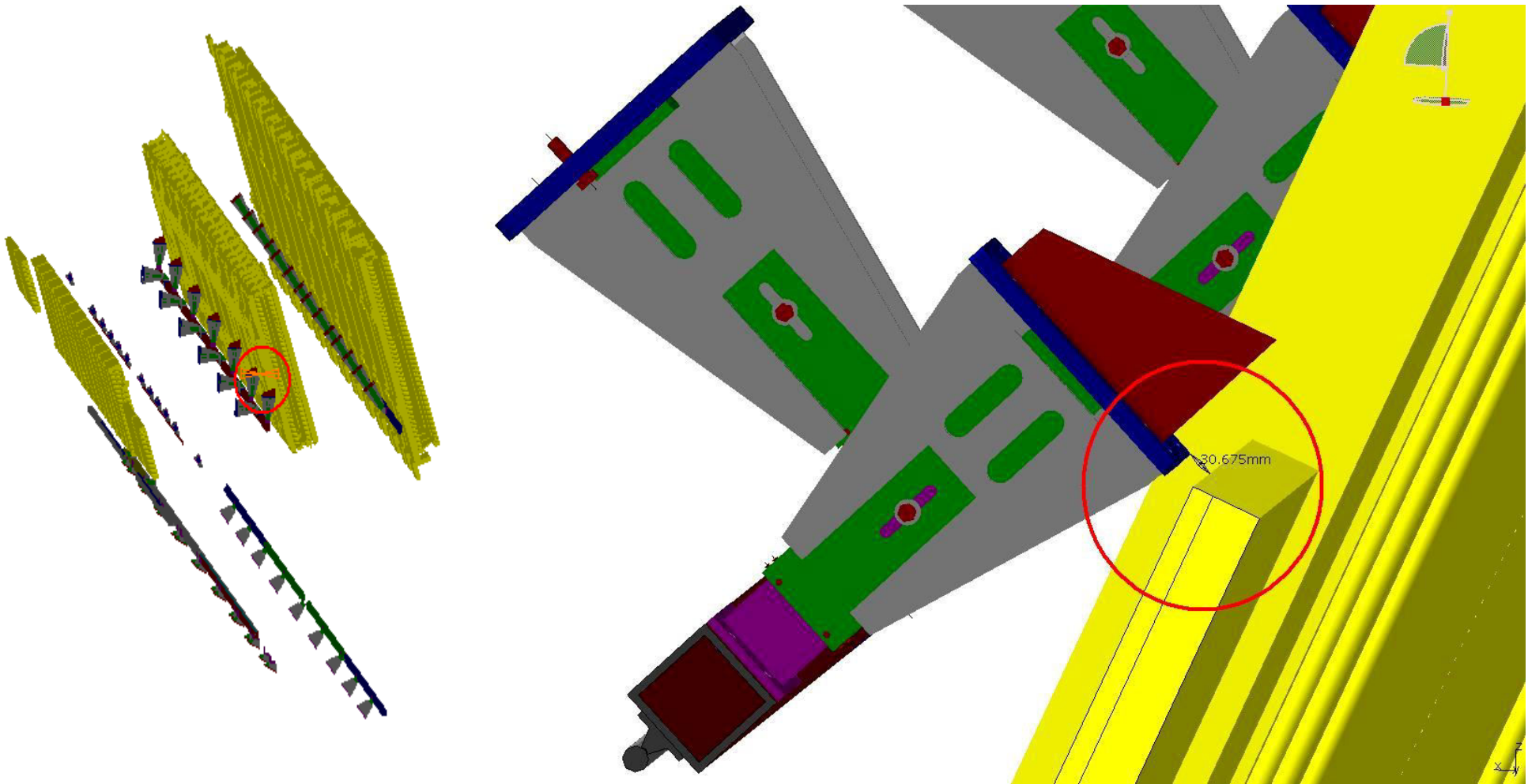
Clearance=50mm



Clearance Computation Specification			
Products Selected			
AT612359MQ Muon Support Sector 11	ATCNSM_0016 BT HEATER CABLE DISTRIBUTION - FOR FOOT REGION UNDER CONSTRUCTION	----	Not inspected
	AT602168MQ MCB Muon Barrel Chambers Detailed	30.67	Not inspected

Computation Result:

AT612359MQ Muon Support Sector 11	AT602168MQ MCB Muon Barrel Chambers Detailed	Vector coordinate $\Delta X=-22.61\text{mm}$ $\Delta Y=-20.73\text{mm}$ $\Delta Z=0.26\text{mm}$	30.67mm	Not inspected
--------------------------------------	---	---	---------	---------------



Side C
Sector 11